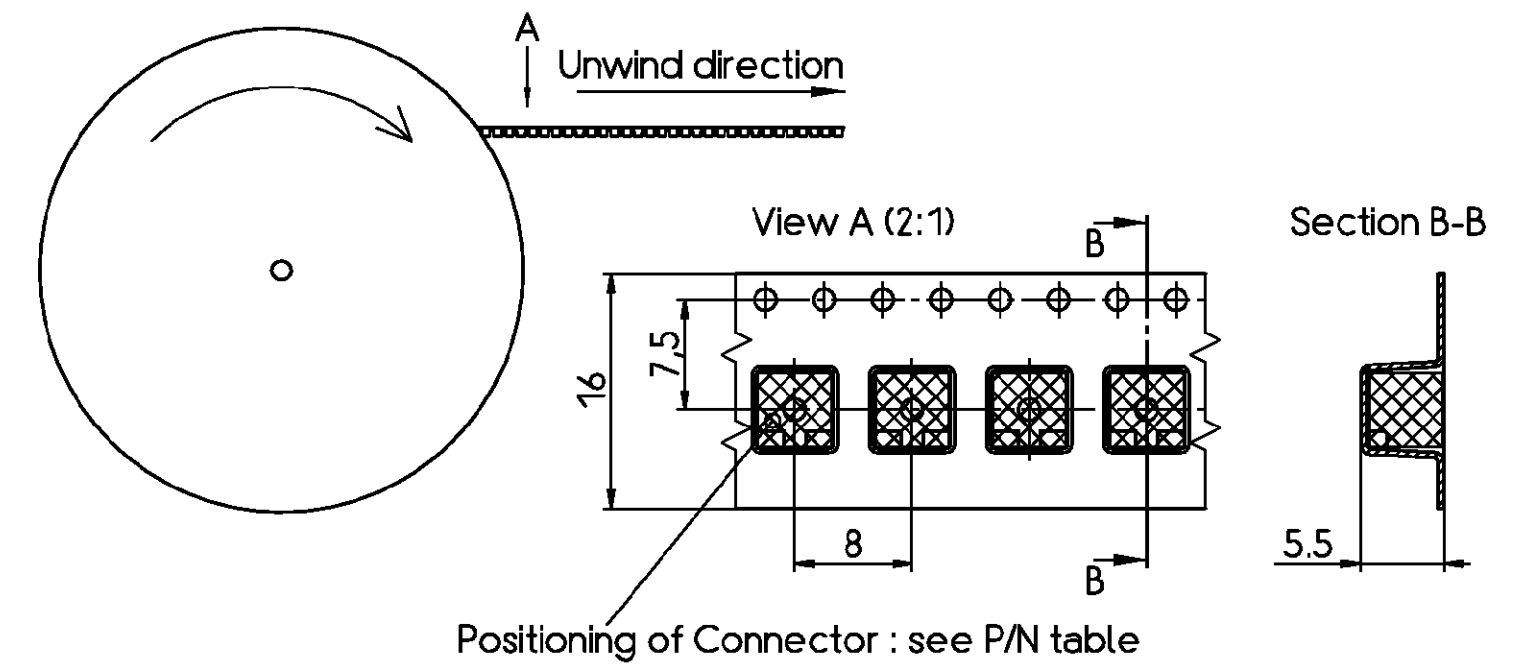


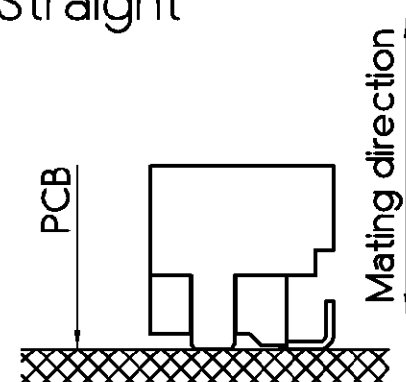
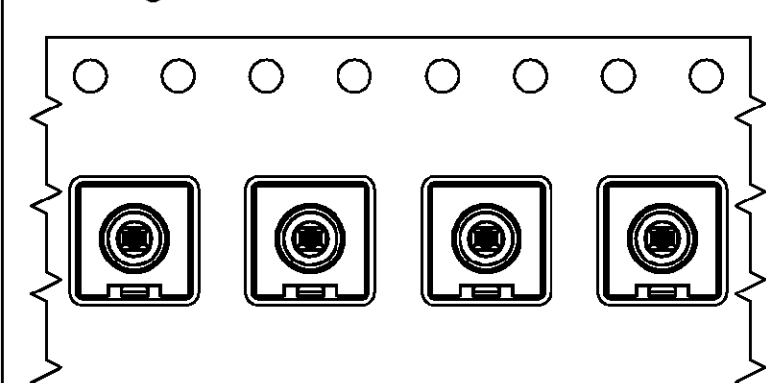
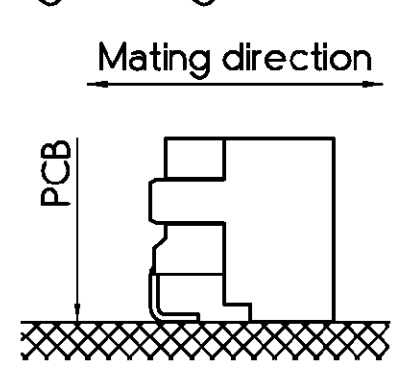
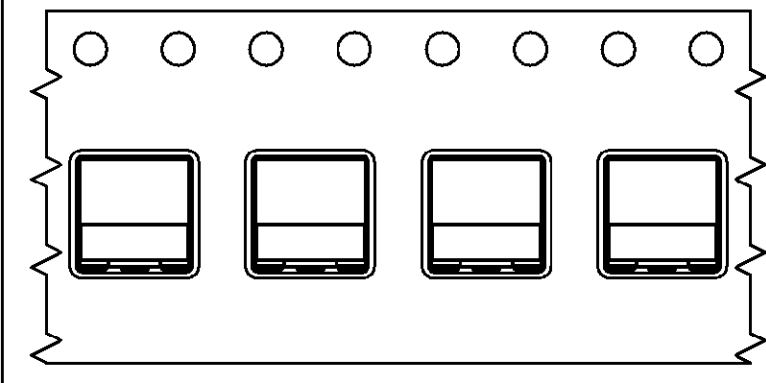
Packaging: Tape on reel

Reel Width 22.4
 Diameter 330
 Quantity per Reel 750



Further characteristics as per EIA-481

Cross Reference Tabel

Old part number	Tyco Electronics part number	Style	Positioning in tape
V23608-A1027-B2	1393757-6	Straight 	Straight 
V23608-A1227-B2	1393757-7	Right angled 	Right angled 

Active Part numbers. Contact Tyco Electronics for other configuration availability

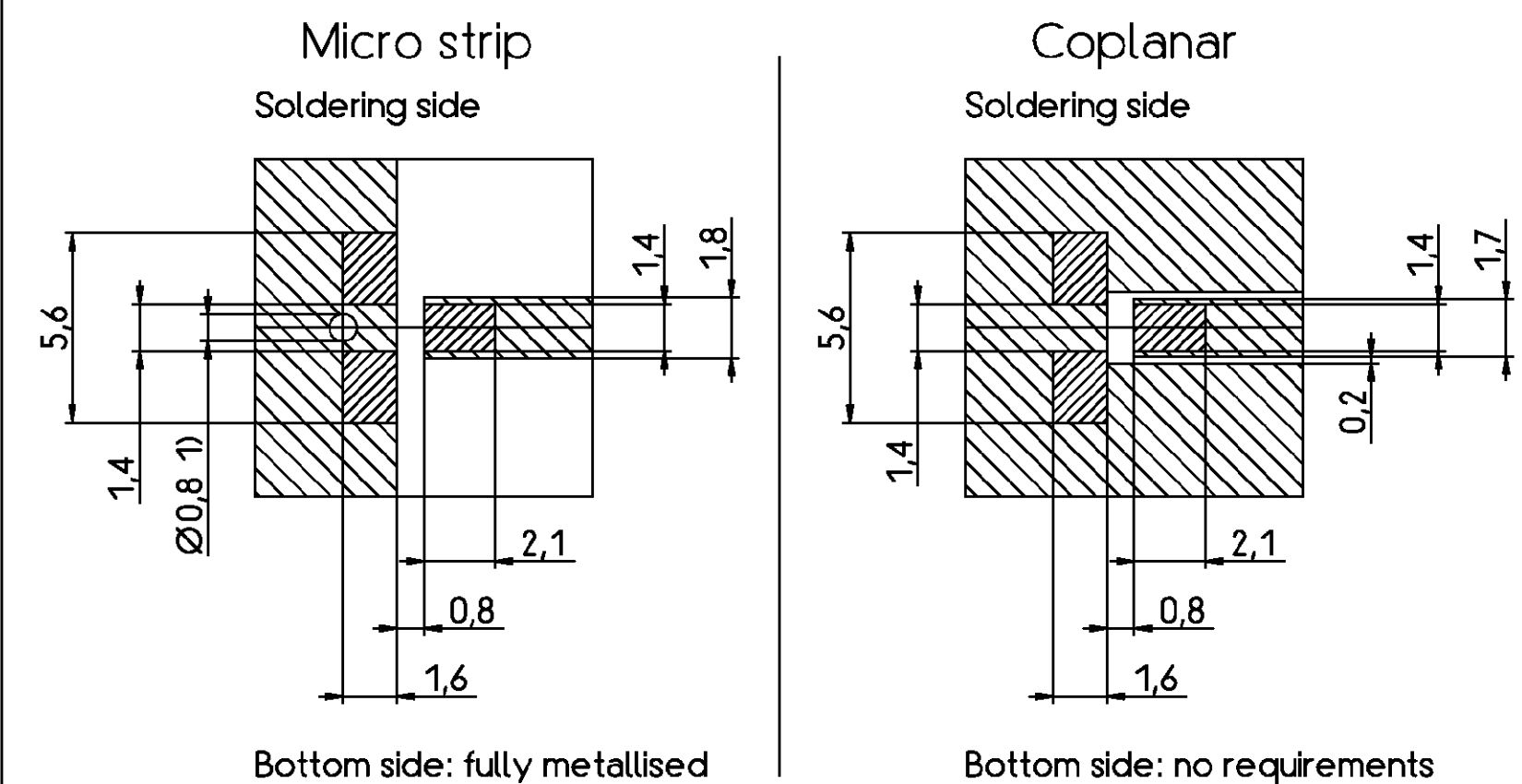
Interface dimensions in acc. with CECC22340

(1:1)



THIS INFORMATION IS CONFIDENTIAL AND PROPRIETARY TO TYCO ELECTRONICS CORPORATION AND ITS WORLDWIDE SUBSIDIARIES AND AFFILIATES. IT MAY NOT BE DISCLOSED TO ANYONE, OTHER THAN TYCO ELECTRONICS PERSONNEL, WITHOUT WRITTEN AUTHORIZATION FROM TYCO ELECTRONICS CORPORATION, HARRISBURG PENNSYLVANIA USA.

Solderpad layout



1) Plated through hole

Applicable for PCB : 1mm thickness and FR4 material
 All tolerances of solder pad layout : +0.05/-0.05

tyco TYCO ELECTRONICS CORPORATION		SCALE 15:1 (5:1 3:1 2:1 1:1 1:10) WEIGHT	
OOSTKAMP - BELGIUM		LOC	DIMENSIONS IN MM
DATE 10.08.00		PART NAME	
NAME Mattheuws		SMT jack, series MMCX	
APP. PD Com		PART NO.	
TOLERANCE UNLESS SPECIFIED OTHERWISE		V23608-A1*27-B2-*7626	
A	WVO 00/70/17	10.08.00	KM
REV.	CHANGE ORDER	DATE	APP.
Customer Drawing No : C 1393677-7		OF 1	